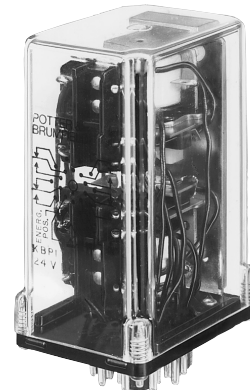


**KBP Series Panel Relay**

- Dual coil latching relay accepts a momentary impulse to one coil to latch and a second impulse to the other coil to release
- Clear polycarbonate dust cover with 11- or 20-pin plug
- 11- or 20-pin octal-style plug connector
- AC and DC coils
- Two, four, and five pole Form C (CO) contact arrangements



Typical applications  
Elevator controls

**Approvals**

UL E29244

Technical data of approved types on request

Contact Data	2 pole	4 pole	5 pole
Contact arrangement	2 form C (CO)	4 form C (CO)	5 form C (CO)
Rated voltage	120VAC		
Rated current	10A		
Contact material	Ag, AgCdO		
Min. recommended contact load			
Ag contacts	100mA, 12VDC		
AgCdO contacts	300mA, 12VDC		
Initial contact resistance			
Ag contacts	100mΩ		
AgCdO contacts	200mΩ		
Frequency of operation	360 ops./hour		

**Contact ratings**

Type	Load	Cycles
<b>UL 508</b>		
Ag	5A, 120VAC	50x10 <sup>3</sup>
AgCdO	10A, 120VAC	50x10 <sup>3</sup>
Mechanical endurance	500x10 <sup>3</sup> ops.	

**Coil Data**

Coil voltage range 12 to 220VDC  
6 to 240VAC

**Coil versions, DC coil**

Coil code	Rated voltage VDC	Operate voltage VDC	Coil resistance Ω±10%	Rated coil power W
12	12	9	52	2.8
24	24	18	230	2.5
48	48	36	850	2.71
110	110	82.5	4560	2.65
-	220	165	Use 110VDC relay with 5KΩ, 5W resistor in series	

All figures are given for coil without preenergization, at ambient temperature +23°C.

**Coil Data (continued)**

**Coil versions, AC coil**

Coil code	Rated voltage VAC	Operate voltage VAC	Coil resistance Ω±15%	Rated coil power VA
2 and 4 pole models				
24	24	20.004	42	5.05
120	120	102	1030	5.3
240	240	204	4100	5.3
5 pole models				
24	24	20.4	27	7.8
120	120	102	700	8.2

All figures are given for coil without preenergization, at ambient temperature +23°C

**Insulation Data**

Initial dielectric strength		
between open contacts	500V <sub>rms</sub>	
between contact and coil	1000V <sub>rms</sub>	
between adjacent contacts	1000V <sub>rms</sub>	
Initial insulation resistance		
between insulated elements	100MΩ	

**Other Data**

Material compliance: EU RoHS/ELV, China RoHS, REACH, Halogen content refer to the Product Compliance Support Center at [www.te.com/customer-support/rohssupportcenter](http://www.te.com/customer-support/rohssupportcenter)

Ambient temperature	-45°C to 85°C
Category of environmental protection	IEC 61810
	RTI - dust protected and RT0 - open style
Terminal type	11- or 20-pin octal-style plug
Weight	306g
Packaging/unit	tray/25 pcs., box/60pcs.

**Accessories**

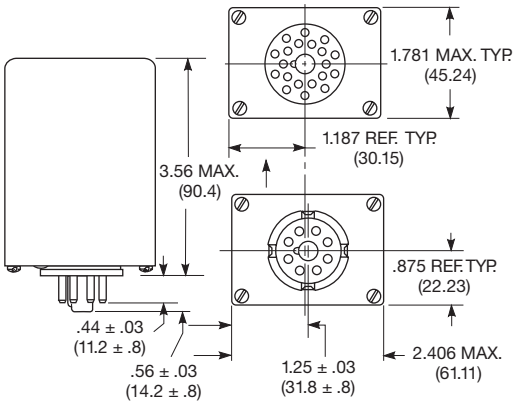
For details see datasheet      Sockets and Accessories, KBP Relays

Product Code	Description
27E892	DIN 11 pin octal socket
27E123	Track mount 11 pin octal socket
27E928	17 and 20 pin octal socket

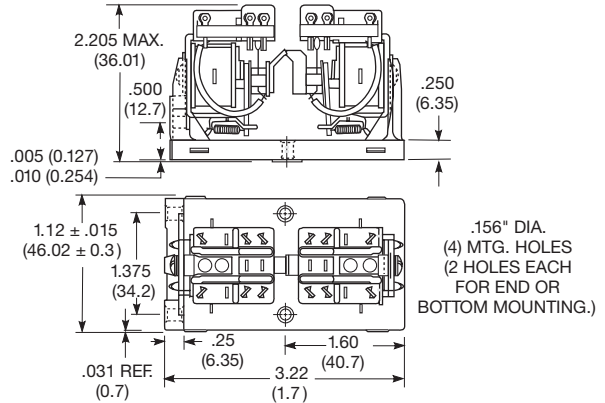
**KBP Series Panel Relay** (Continued)

**Dimensions**

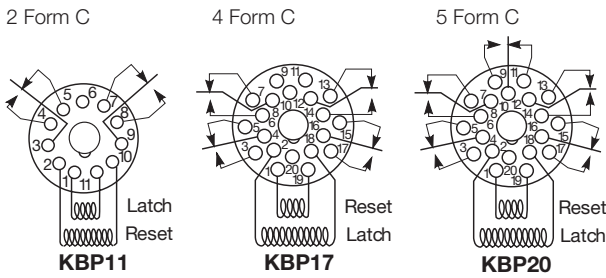
KBP - enclosed



KB - open style



**Terminal assignment**



Note: Shown with reset coil energized last.

**Product code structure**

Typical product code **-KBP -11 A G -24**

<b>Type</b> <b>KBP</b> Enclosed, dual coil mechanical latching relay <b>KB</b> Open, dual coil mechanical latching relay	<b>11</b> 2 form C (2CO) <b>20</b> 5 form C (5CO) <b>17</b> 4 form C (4CO)
<b>Contact arrangement</b>	
<b>Coil input</b> <b>A</b> AC <b>D</b> DC	
<b>Contact rating</b> <b>Blank</b> 5A, 120VAC (Ag) <b>G</b> 10A, 120VAC, 80% PF (AgCdO)	
<b>Coil voltage</b> Coil code: please refer to coil versions table Specify the same latch and release coil voltage for standard relays. Unlike coils available on special order.	

Product Code	Arrangement	Case style	Contact material	Coil	Part Number
KB-17AG-120	4 form C, 4 CO	open	AgCdO	120VAC	1-1393100-2
KB-17DG-12				12VDC	1-1393100-5
KBP-11AG-120	2 form C, 2 CO	enclosed		120VAC	2-1393100-4
KBP-11DG-24				24VDC	2-1393100-6
KBP-11DG-110				110VDC	2-1393100-5
KBP-20AG-120				120VAC	3-1393100-4